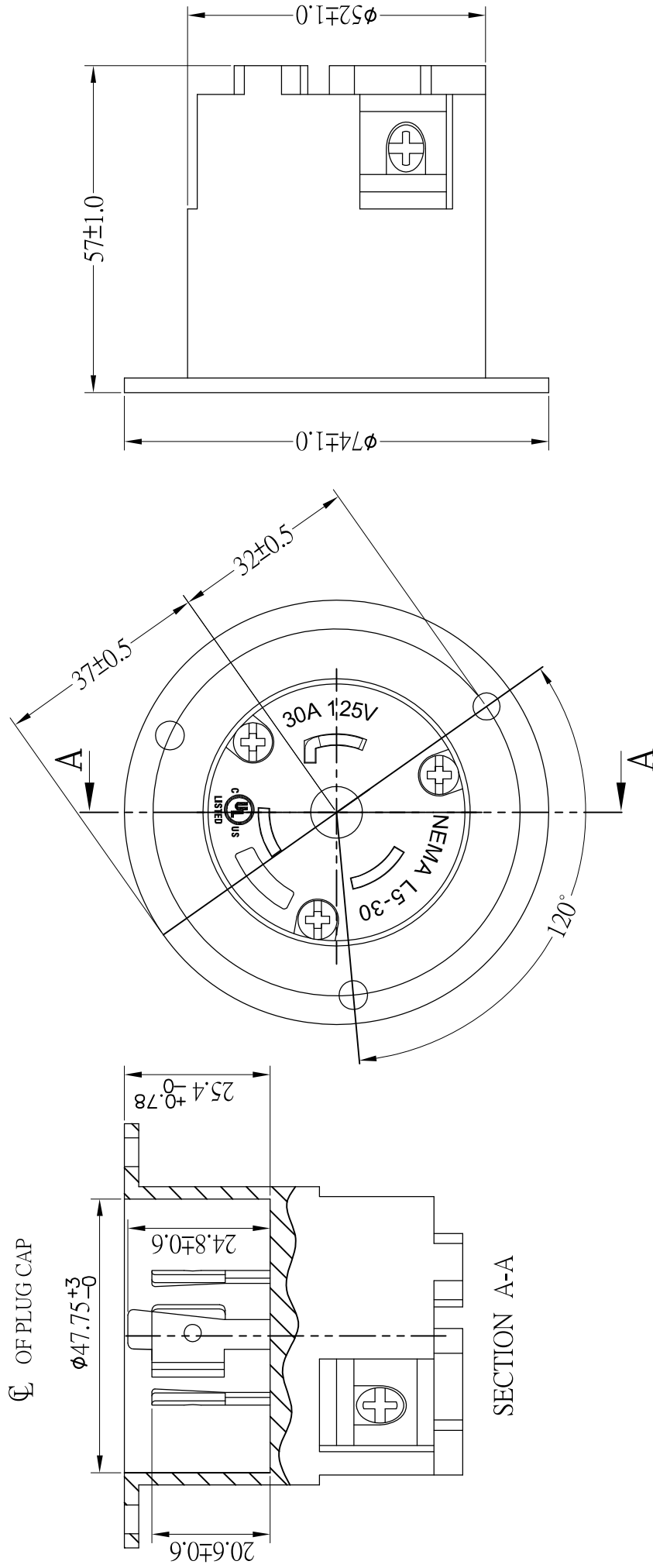


Rating: 30A 125V
 Approvals: UL / cUL



REV	REVISION DESCRIPTION	DATE	BY	CHKD	TOLERANCE	TITLE
E					<3 ±0.2	ASINL530P
D					3~<6 ±0.3	
C					6~<15 ±0.4	DRAWING NO. REV
B					15~<30 ±0.5	169 A
A	Initial Release	102.06.06	CHEN	QUEEN	30~<90 ±1.0	